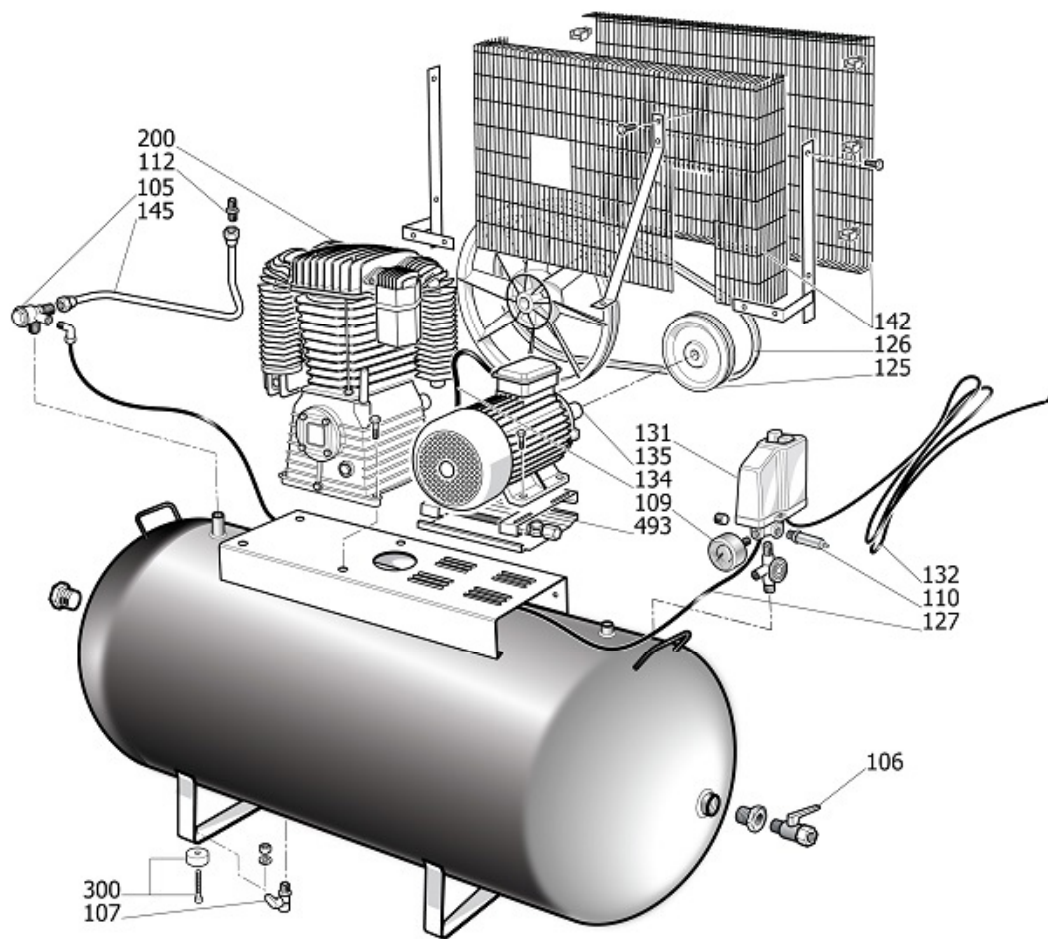




TECHNICAL DRAWING
K 200-450

REF. NO.: 36520-N



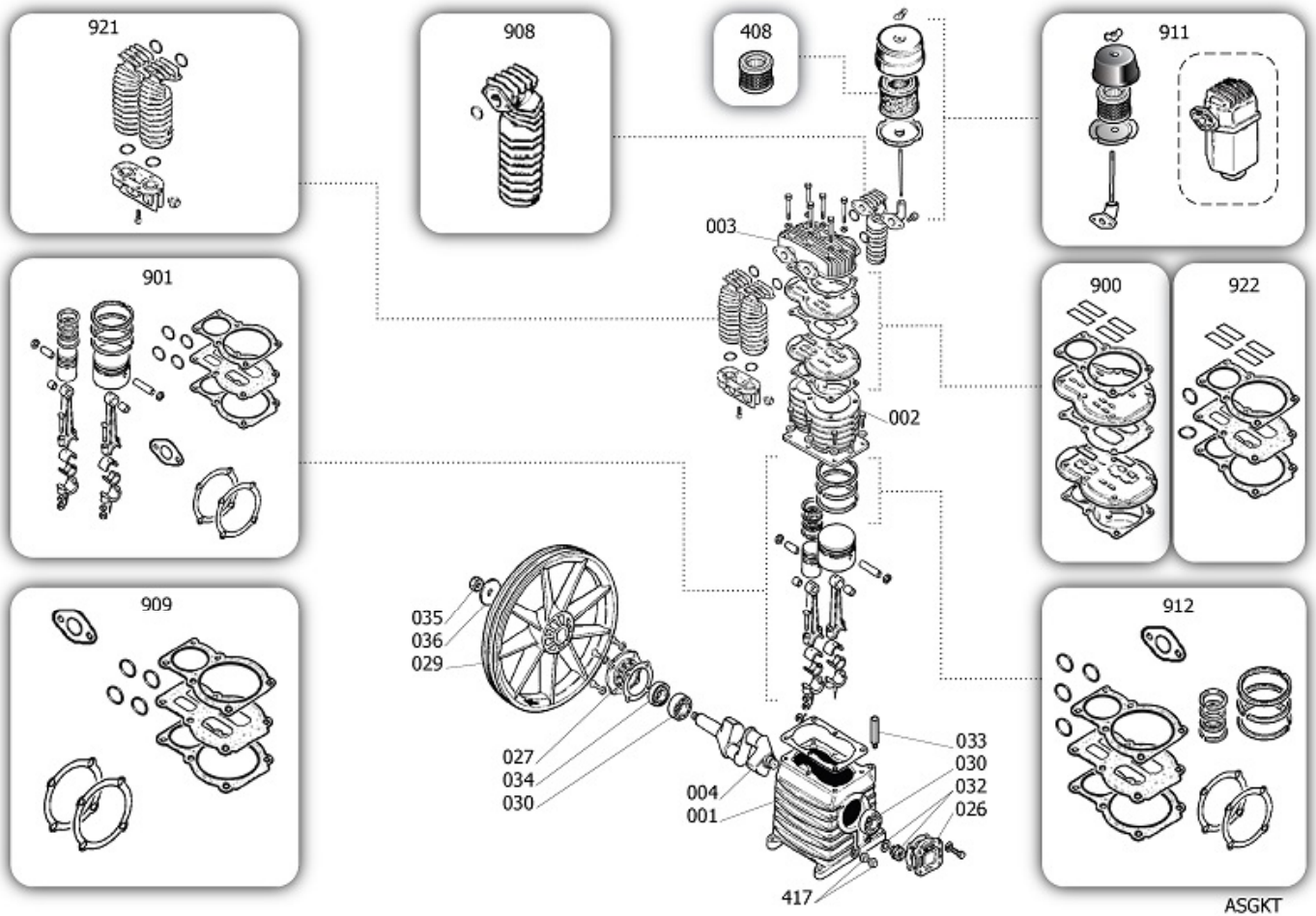
BSGLP

**36520-N PART LIST**

REF. NO.: 36520-N

NO.	Designation	Code SKU	Qty
105	Check valve	4101335	1
106	Line valve	#022002000	1
106	Line valve	4100809	1
107	Condensate drain valve	9047097	1
109	Pressure gauge	9052271	1
110	Relief valve	9049310	1
112	Nipple/elbow	4101334	1
125	Pulley	9434002	1
126	Poly V belt	9075002	1
127	Rilsan pipe 4/6 white „PTFE“	9270019	1
131	Pressure switch	9063280	1
132	Power cable	9065347	1
134	Cover seal	9065417	1
135	Motor	845S000	1
142	Belt guard	834302A	1
145	Delivery pipe	9043692	1
200	Bare pump	SG0000A	1
457	Air tube	\$14300950	0,2
493	Motor saddle	9083460	1

BARE PUMP SG0000A



**BARE PUMP SG0000A**

NO.	Designation	Code SKU	Qty
1	Casing	\$33104600	1
2	Cylinder	\$31604730SGL	1
3	Head	SG61400	1
4	Shaft	SG61200	1
4	Shaft	SG61290	1
26	Front cover	\$30400830	1
27	Casing rear support	\$30400860	1
29	Flywheel	\$31003080	1
30	Ball bearing 6205 K8-K28	\$30300030	2
32	Oil light	\$36531150	1
33	Oil plug	\$36507050	1
34	Seal	\$30300040	1
35	Screw flywheel	\$37400720	1
36	Washer flywheel	\$37500730	1
408	MPK filt.Cartridge exa K17-K50	9434N01	1
417	Oil plug	\$36531140	1
900	MPK valve plate K25	9434A12	1
901	MPK piston-conrod K25	9434B16	1
908	MPK aftercooler K17-18-25	9434E08	1
909	MPK gasket K25	9434F13	1
911	Air filter kit	9434M01	1
912	MPK piston rings k25	9434C15	1
921	MPK intercooler K25-28	9434D02	1
922	MPK mainten.PV K25	9434H05	1